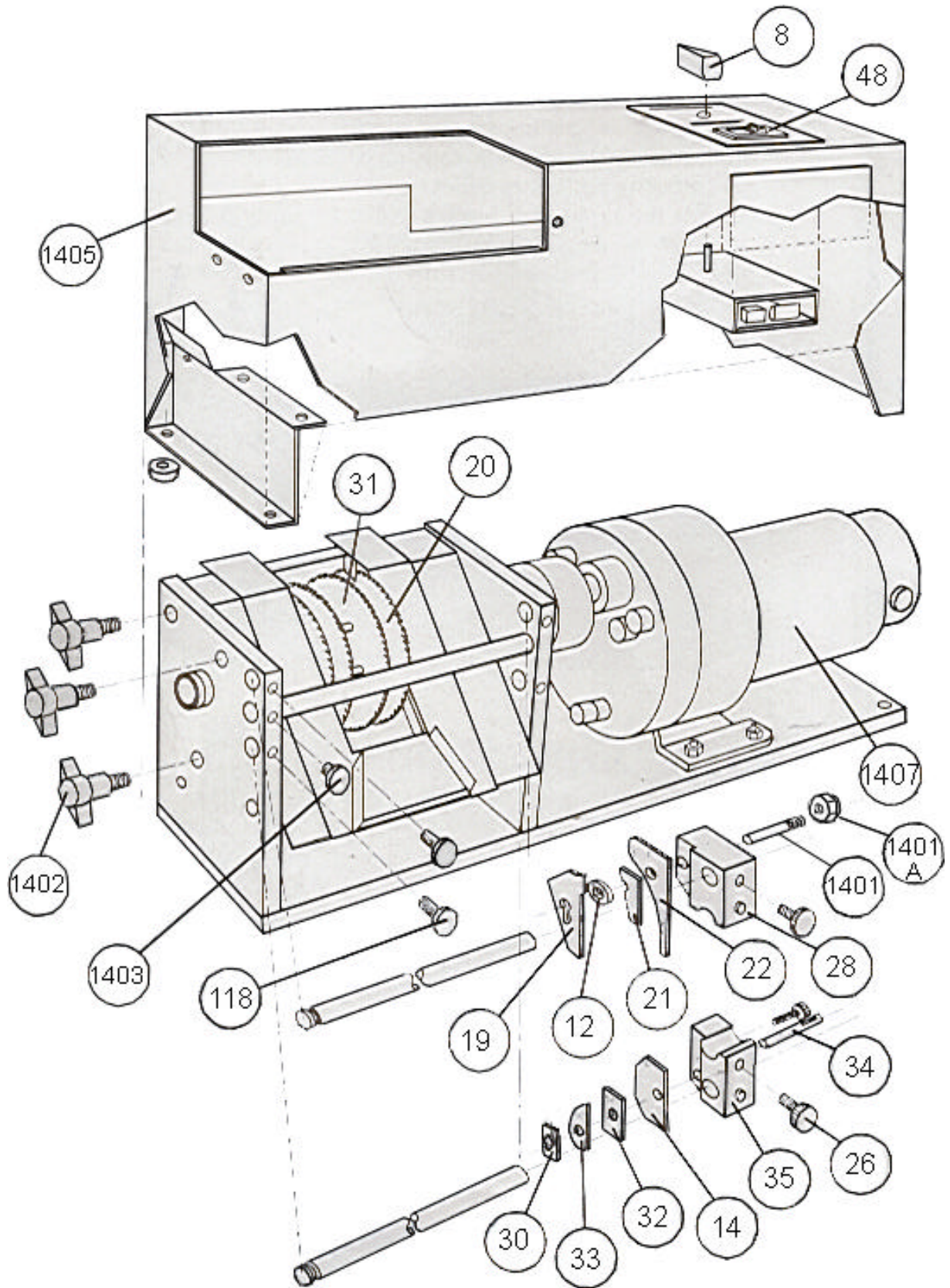


## II. ILLUSTRATED PARTS LIST



# PARTS LIST

151-7	Power Supply
151-8	Speed Control Knob
151-12	Carbide Cutting Die
151-13	Sleeve – Cutting Disc
151-14	Forming Die – G7 NEW NUMBER 151-138
151-15	Sleeve – Forming Disc
151-16	Driver Clips
151-18	Cutting Block, Left
151-19	Lead Guide (Left or Right)
151-20	Cutting Dies
151-21	Cutting Feed Disc Spacer
151-22	Cutting Feed Disc Guide
151-23	Template, Lead Sizing (made to order)
151-26	Knurled Screw, 3/8", Black
151-28	Cutting Block, Right
151-29	Forming Block, Left
151-30	Forming Feed disc Guide
151-31	Forming discs
151-32	Forming Die Spacer (.020")
151-33	Forming Feed Disc Spacer
151-34	Forming Assembly Pin
151-35	Forming Block, Right
151-47	Forming Die Spacer (.025")
151-48	On/Off Switch
151-53	Forming Die Spacer (.032")
151-111	Guide Mounting Block Dereeler, Left
151-112	Guide Mounting Block Dereeler, Right
151-116	Large Retaining Ring, for Cutting and Forming Discs
151-117	Small Retaining Ring, for Sleeves
151-118	Knurled Screw, 3/8", Red
151-135	Knurled Screw, 1/2", Red
151-138	Forming Die, Steel (optional)
151-701	Dereeler Guide, Left
151-702	Dereeler Guide, Right
151-1401	Cutting Assembly Pin, Retaining Ring & Spring Assembly
151-1402	T-Bolts
151-1403	Knurled Screw For Template
151-1404	Card Feed Assembly
151-1405	Cabinet with Nameplates
151-1406	Dereeler Assembly
151-1407	Motor with Gear, with Coupling, with Spider

